

VIAVI

Xgig Slimline 8-lane Interposer

for PCI Express® 5.0

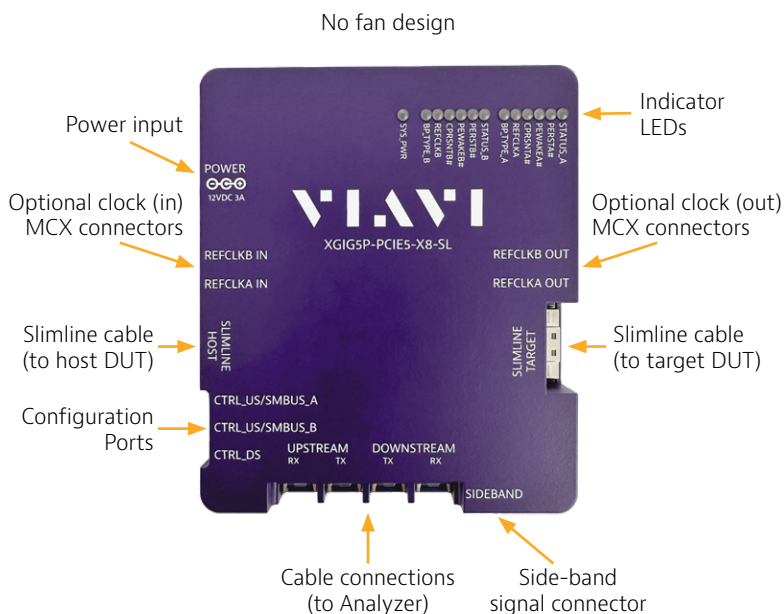
Provides a tap of Slimline PCIe data signals for input to the VIAVI PCIe 5.0 Analyzer

VIAVI Solutions Xgig® Slimline Interposer, the Xgig5P-PCIe5-X8-SL, supports analysis of PCIe5 communication across a Slimline connection. This Interposer enables protocol analysis of communication between an 8-lane Slimline host port and a Slimline attached endpoint device. Bidirectional PCIe 5.0 protocol data on each of 8 lanes is captured at up to 32GTps rate for analysis. High-performance, low-loss, custom cables are supplied for connection into the VIAVI Analyzer.

This Interposer uses high-speed linear signal redrivers to buffer the system data signals ensuring a clean signal is delivered to both the Analyzer and the devices-under-test (DUT) for accurate protocol capture and analysis.

Key Features

- Operates at 32GT/s PCIe 5.0 data rates, and is compatible with PCIe rates of 2.5, 5.0, 8.0 and 16GT/s
- Slimline host and target connectors support PCIe links of up to and including 8-lanes
- Supplied with high-quality custom cables for Analyzer attachment
- Data path uses high-speed linear redrivers to ensure good signal capture with minimal tuning
- Supports Analyzer side-band signal capture and triggering via custom cable
- Two cables supplied for optional clocking sources
- Interposer power is independent of host system
- A 120/220 AC in, 12V/3A DC output converter is included
- LEDs give quick indication of power and operation
- Size: (L x W x H): 139 x 116.65 x 26.61 mm (excl. rubber stands).
- Works with multiple VIAVI Xgig 5P Analyzer types
- Provides consistent, repeatable capture of link training, equalization negotiation and other data
- Supports Jammer error injection for deep system analysis and debug
- Up to two Interposers are stackable to support wider length widths
- Supported by VIAVI Xgig tool suite including Trace Control, Expert™ and Serialytics™



Applications

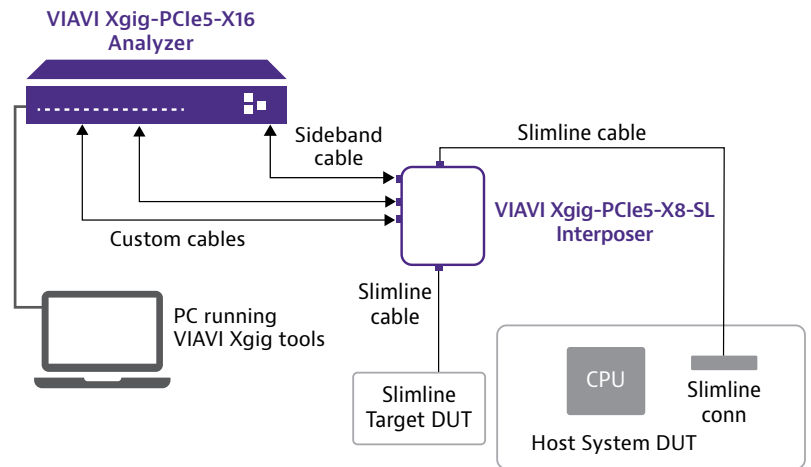
Working together with the VIAVI PCIe 5.0 Analyzer/ Exerciser/Jammer platform, the Interposer enables debug and validation of new ICs with Slimline interface, Slimline peripherals, host system implementations, firmware and drivers, validation of system BIOS and software, error injection, and for manufacturing test. It supports full decode and analysis of PCIe data traffic and link states.

To install the Xgig5P-PCIe5-X8-SL Interposer, with the system power-off, connect the Interposer into the Slimline cable path and to the Analyzer chassis. Power-on the Interposer and Analyzer, specify the trace capture conditions using the Xgig tools and then power-up the system under test.

The block diagram to the right indicates the signal data path. Data flows between the host system's Slimline interface and the Slimline target DUT as normal. The signal is "tapped" for use by the Analyzer inside the Interposer.

When operating in Analyzer mode, the DUT data is captured (tapped) from both the upstream and downstream data paths as inputs to the Analyzer. When operating in Jammer mode, or Analyzer/Jammer mode, data flows through the Analyzer chassis.

In addition to this 8-lane Slimline Interposer, VIAVI offers a variety of other Interposer types for connecting into many popular PCIe system applications, including CEM, U.2, M.2, EDSFF, Flying-Lead and others.



Kit Contents

Item	Description	Qty
1	Slimline 8-lane Interposer pod for PCIe 5.0	1
2	Slimline cables	2
3	Custom high-performance cables	2
4	Sideband signal cable (to Analyzer)	1
5	MCX 50-Ohm coax cables for optional clock	2
6	Power brick, 120/220 input, 12V/3A output	1
7	Quick Start Guide	1

Ordering Information

Part Number	Description
Xgig5P-PCIe5-X8-SL	Slimline Interposer, 8-lane, 32GTps, for PCIe 5.0
XGIG-INTPSR-C-Hx (x=1, 2, 3, 4)	x-year extended hardware warranty



Contact Us **+1 844 GO VIAVI**
(+1 844 468 4284)

To reach the VIAVI office nearest you,
visit viasolutions.com/contact

© 2023 VIAVI Solutions Inc.
Product specifications and descriptions in this document are subject to change without notice. Patented as described at viasolutions.com/patents/xgig-slimline-8lane-interposer-ds-snt-nse-ae 30193685 900 0223

viasolutions.com